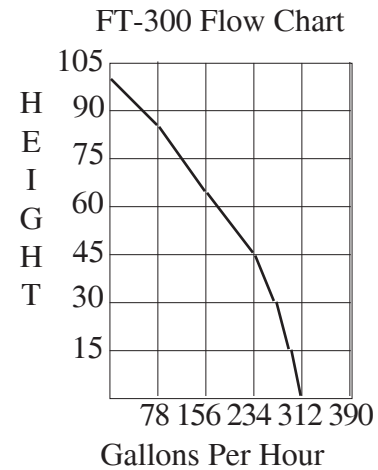


Fountain TECH FT-300 Pump



I. Introduction

Fountain Tech pumps are carefully inspected and tested to insure both safety and operating performance. However, failure to follow the instructions and warnings in this manual may result in pump damage and/or serious injury. Please read and save this manual for future reference.

II. Performance

° A clogged or dirty intake screen will greatly reduce performance. If the pump is used on a dirty surface, raise it slightly to reduce the amount of debris contacting the Intake.

- ° If less flow is desired, adjust the flow control lever on the side of the pump or restrict the discharge flow.
- ° Do not allow the pump to run when not submerged. Doing so may damage the pump. Always submerge the pump first and then plug in the electrical cord.
- ° It is common for there to be air in the pump and tube when first plugged in. Pull the electrical cord out and re-insert it until the fluid begins to flow.
- ° This pump comes with multiple connector tubes. If desired, remove and insert other size.

III. Maintenance

To clean the pump, remove the front plate and the impeller. Use a small brush or stream of water to remove any debris. **CAUTION:** The pump shaft can not be removed. **IF THE PUMP FAILS TO OPERATE, CHECK THE FOLLOWING:**

- ° Check the circuit breaker and try another outlet to insure the pump is getting power. **NOTE:** Always disconnect the pump from the electrical outlet before handling the pump.
- ° Check the pump discharge and tubing for kinks and obstructions. Algae buildup can be flushed with a garden hose.
- ° Check the inlet screen to insure it is not clogged with debris.
- ° Remove the pump inlet to access the impeller area. Turn the rotor assembly to insure that it is not broken or jammed.
- ° Monthly maintenance will add to your pump's life.

NOTE: Insure that the electrical cord loops below the electrical outlet to form a "Drip Loop". This will prevent water from running down the cord into the electrical outlet.

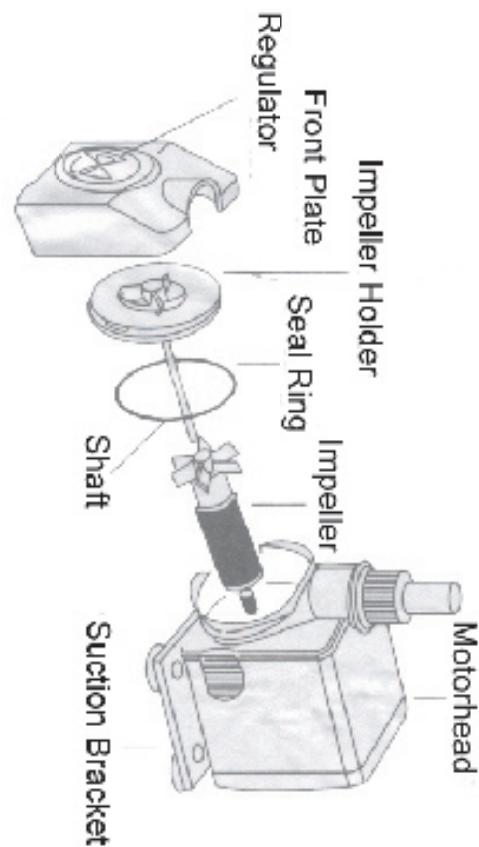
CAUTION

ALWAYS DISCONNECT THE PUMP FROM THE ELECTRICAL OUTLET BEFORE HANDLING.
DO NOT LET THE PUMP RUN DRY.
DO NOT LIFT THE PUMP BY THE POWER CORD.
DO NOT PUMP HEATED LIQUIDS.
OPERATE IN FRESH WATER ONLY.
OPERATE PUMP COMPLETELY SUBMERGED FOR PROPER COOLING.

WARNING

- ° This pump is supplied with grounding connector and a grounding type attachment plug. To reduce the risk of electric shock, connect only to a properly grounded outlet.
- ° Do not remove the grounding pin from the plug.
- ° Do not connect any voltage other than that shown on the pump.
- ° Do not pump flammable liquids.
- ° The National Electric Code requires that a Ground Fault Circuit Interrupter (GFCI) be used in the branch circuit supplying fountain pumps and other pump equipment. See your local electrical supplies dealer for this device.
- ° To reduce the risk of electrical shock, use only on portable self contained fountains no larger than 5 feet in any dimension.
- ° Do not use with water above 86° F.

Failure to observe any of these safety precautions may result in pump damage and/or serious injury.



FT-300 Submersible Pump

Warranty

Fountain TECH guarantees this product for a period of 12 months. Guarantee is void if the product is misused or tampered with.

Customer must include receipt with defective pump. If the pump is found to be defective, Fountain TECH will repair it or replace it with a new one.

Please keep this for your records;

Date of purchase _____

Model No _____

Name of Dealer _____

Fountain TECH
2351 Thompson Way, #C-2
Santa Maria, CA 93455
(805) 928-7410
www.fountaintechpumps.com



FT-300 Submersible Pump Users Guide



Copyright 2003 Fountain TECH

